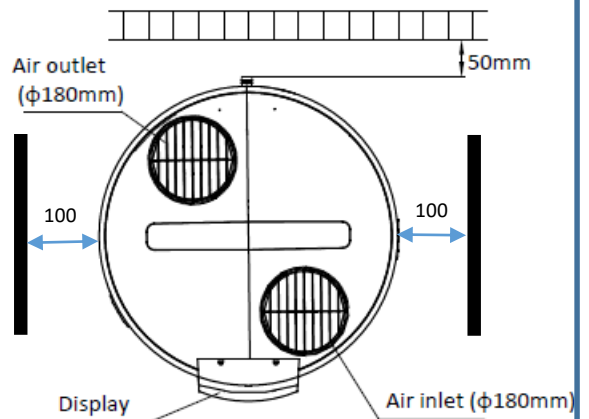


- Place tank on suitable level surface
- Plumbing to left side installation only
- Ensure minimum clearances maintained
- Install to all applicable building, plumbing and electrical codes. Refer following pages.
- Dedicated electrical RCD circuit weather proof isolator 15amp
- Hard wire electrical connection to isolator by builder



Standard 15amp 3 pin plug provided factory fitted to the unit – simply 'plug and play'



### Clearances

Rear = 50mm  
Sides = 100mm